

WORLDWIDE NETWORK

12 Overseas Subsidiaries and Business Partners in over 80 countries.

EUROPE Belgium, Bulgaria, Czech, Croatia, Cyprus, France, Germany, Greece, Hungary, Italy, Kosovo, Latvia, Lithuania, Macedonia, Moldova, Austria, Netherlands, Poland, Portugal, Romania, Russia, Serbia, Slovenia, Slovakia, Spain, Switzerland, Sweden, Turkey, Ukraine, UK

ASIA Bangladesh, Brunei, China, Georgia, Hong Kong, India, Indonesia, Japan, Kazakhstan (Central), Malaysia, Pakistan, Philippines, Singapore, Sri Lanka, Taiwan, Thailand, Vietnam

SOUTH AMERICA Argentina, Bolivia, Brazil, Chile, Colombia, Nicaragua, Paraguay, Peru, Venezuela, Dominican Republic, Ecuador

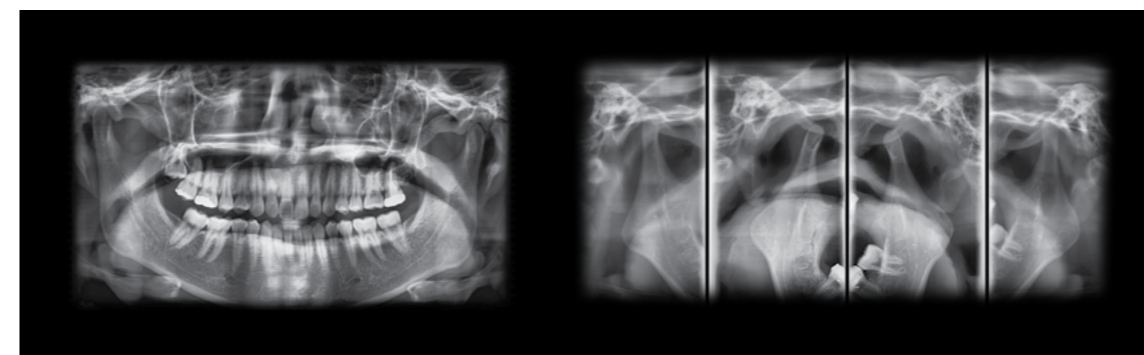
NORTH AMERICA Canada, Mexico, U.S.A.

OCEANIA Australia

MIDDLE EAST, AFRICA Iran, Iraq, Israel, Jordan, Kuwait, Lebanon, Syria, Saudi Arabia, Qatar, U.A.E, Yemen, Egypt, Oman, Palestine, Bahrain, Morocco, Libya, Sudan, Algeria, Tunisia, Kenya, Nigeria, Zambia, Tanzania, Uganda, South Africa



Regional Head Office Subsidiary Office



PaX-i

Your Partner
in Digital Success

Your Partner in Digital Success, PaX-i



1

Superior Image Quality

- Optimal image for accurate diagnosis

2

User-oriented Software, EzDent-i

- It is the complete solution for your consultation

3

Modern and Compact Design

- Raise design value of your clinic
- Save installation space in your clinic



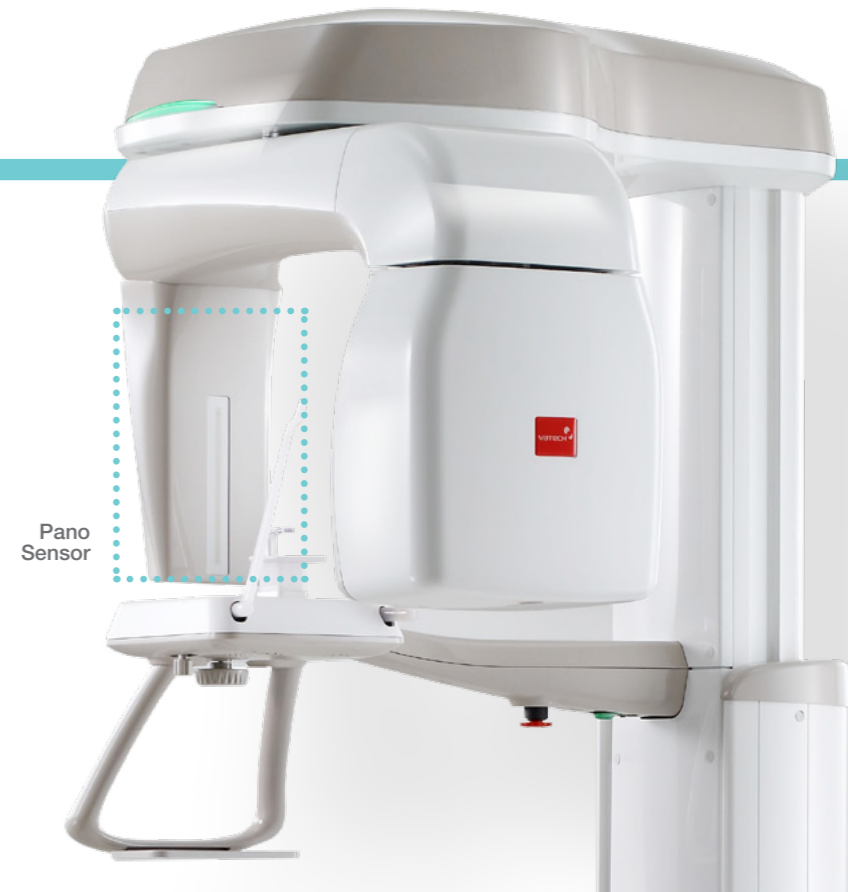
ADVANCED IMAGE SOLUTION FOR ACCURATE DENTAL DIAGNOSIS

PaX-i provides the most precise and high quality panoramic image by innovative imaging process and accumulated experience in dental imaging from VATECH. It improves your diagnostic accuracy with increased treatment planning and patient satisfaction.



New standard of panoramic image

Clear and sharp panoramic image brings you better diagnostics. Enhanced details especially in the anterior and dental roots can be viewed. These consistently high quality images will become the new standard of panoramic imaging.

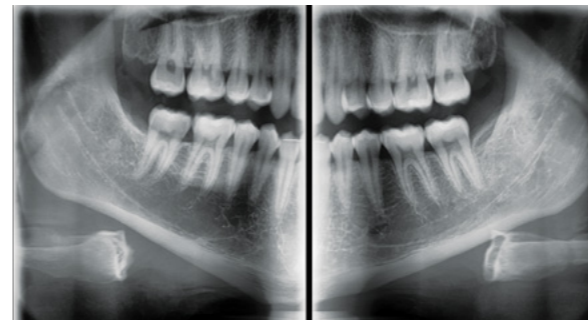


PANO SENSOR

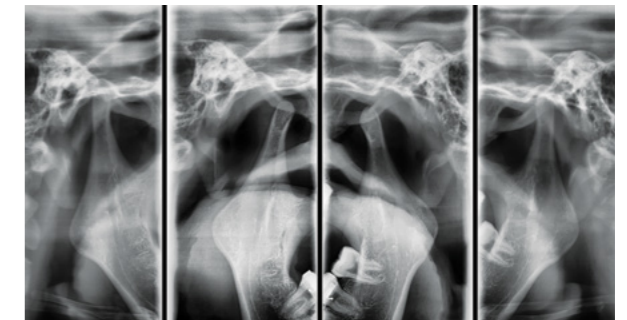
PaX-i has the most advanced CMOS technology to get the complete image quality for your accurate diagnosis

Make your diagnosis easy and efficient with various capture modes

PaX-i has various capture modes to meet your diagnostic needs. You can choose any capture mode based on the purpose of your diagnostic needs.



Bitewing mode



TMJ mode

SECTION	ARCH	EXAMINATION MODE
PANO EXAMINATION	Narrow / Normal Wide / Child	Standard / Right / Front / Left
	Orthogonal	Orthogonal Standard / Right / Front / Left Bitewing Standard / Right / Front / Left
SPECIAL EXAMINATION	Normal	TMJ LAT Open / Close TMJ PA Open / Close Sinus LAT / PA



THE COMPLETE SOLUTION FOR YOUR CONSULTATION

EzDent-i will change the way of your consultation providing versatile tools such as clinical animation (EzCodi) and powerful simulation tools. This full packaged software will increase acceptance rate and satisfaction of patients.

1 Simple Tool Bar

Well organized and intuitive icons makes your workflow faster and efficient. They are configured in an easy to follow diagnostic sequence.

2 Patient Search

The patient search box is fixed on the screen so you no longer need to move to the 'patient' tab to search for a new patient.

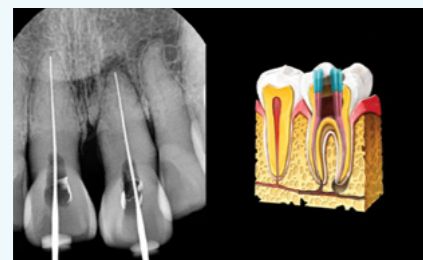
3 Drag & Drop

All patient images are displayed along the bottom of the screen. Simply find the image you need and then click, drag and drop it into place. That's simple.



2 in 1 Communication with EzCodi (optional)

Diagnosis and Consultation



2 in 1 Consultation



Implant Treatment

▪ EzCodi provides approximately 200 treatment process animations

You can display animation together with X-ray image for better consultation. This unique and useful tool will not only increase patient's understanding but also increase case acceptance.

SPECIFICATION (PaX-i : PCH-2500)

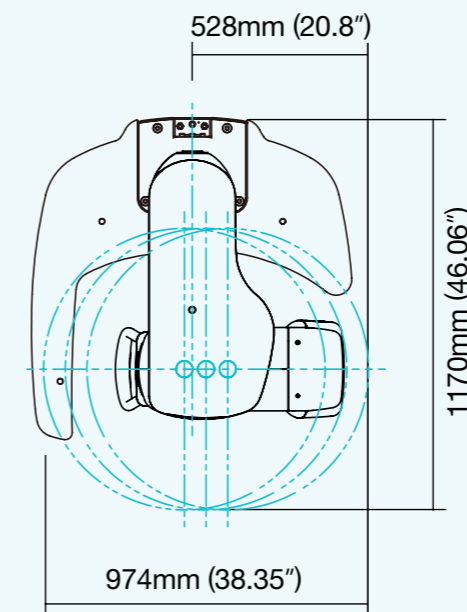
Function	Pano + Ceph
Scan Time	Pano : HD 13.5sec / Normal 10.1sec
Focal Spot	0.5mm

Tube Voltage/Current	50-90 kVp / 4-10 mA
Gray Scale	14 bit
Patient Positioning	Standing / Wheel-Chair Accessible

DIMENSIONS

PaX-i Pano

TOP VIEW



FRONT VIEW

