

PRIMA DNT

DENTAL MICROSCOPE



PROGRESS THROUGH INNOVATION



PRIMA DNT

At LABOMED, harmony has always been our guiding principle when designing products. Staying true to this philosophy, we proudly introduce a new dimension in performance, flexibility and economy for modern restorative and endodontic practices – the PRIMA DNT.

Each microscope is built to perform under the most demanding of clinical environments. The PRIMA DNT offers an array of configurations and ergonomic accessories to address all dental practice needs.



FOR THE MOST DEMANDING ENVIRONMENTS



Over the years, the microscope has become a standard tool of care for a diverse set of dental applications from routine crown preps to canal identification and pulp removal. Today, dentists in not just the endodontic but also the restorative community want their microscopes to be more agile, versatile and efficient than ever before. Answering this call, LABOMED was the first to develop a single LED-based illumination concept for a dental microscope. That design leadership has delivered an evolved illumination system that is highly efficient, cool, and offers a truly white LED with Lux values nearing that of Xenon, but with a 60,000 hour rated bulb life.

Given most clinics have spatial constraints, a microscope needs to be more compact than ever. Housing the LED light source and electronics within the Prima arm assembly eliminates the need for bulky illumination housing, yielding an overall space saving of approximately 20% compared to conventional Xenon and Halogen systems.

The Prima DNT comes equipped with an Apochromatic optical system that promises the most vivid and honest images in its class. This is achieved with LABOMED's proprietary *MaxLite™* coatings that provide highest efficiency in transmission and reflection through the entire visible spectrum. *MaxLite™* renders optics with excellent anti-fungal, anti-fog and scratch resistant properties.



To address digital documentation needs, a host of digital SLR, video camera, and CCD adapters are made available with the *ProLine* in addition to LABOMED's proprietary *iVu* multi-functional imaging solution.



An ergonomic Rotoplate and Extender kit eliminates neck craning, making it comfortable to view hard-to-see regions of the mouth from a 9 and 3 o'clock seated position.



PRIMA DNT ADVANTAGES



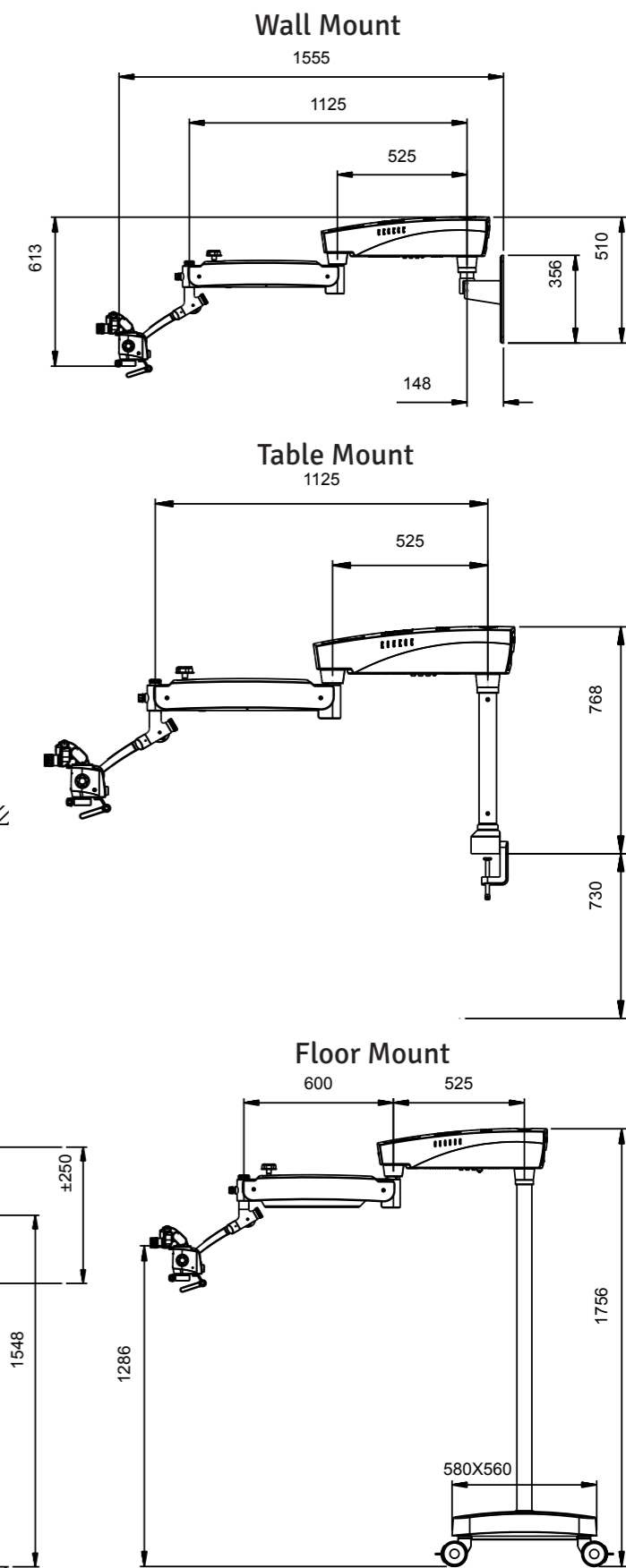
The *NuVar™* variable objective enables dentists to select the ideal working distance based on procedure requirements. *NuVar™* provides fluid adjustment of focal length from 300mm to 400mm.

For space constrained operatories or teaching environments, LABOMED has developed a more compact option called the DNT Trainer model, with a lower center of gravity and short swivel arm.



The PRIMA DNT comes with a clip-on objective protector to shield the optics from spray - back and debris.

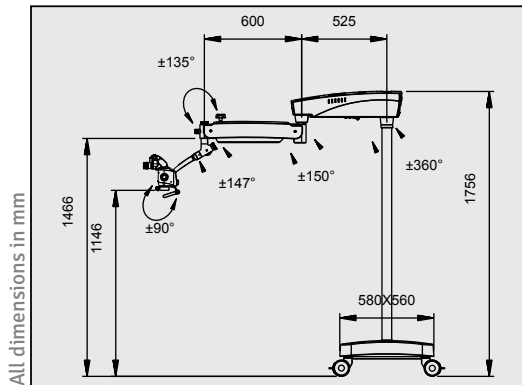
Floor, wall, ceiling, and traditional table mounting options are available, as well as an extra long suspension arm (providing an additional ~250mm) for further removed mounting orientations. A host of eyepiece and objective options are available to further customize the PRIMA DNT.



DENTAL MICROSCOPE

| | |
|----------------------------------|--|
| Binocular tubes | 0-210° tiltable ergonomic head |
| Eyepieces | WF 10X/18 mm with eye guards, diopter adjustment ± 5 mm and diopter lock; Optional: WF 12.5X/18 mm |
| Apochromatic magnichanger | 5 step: 0.4X, 0.6X, 1.0X, 1.6X, 2.5X |
| Objective | f-250 mm, manual fine focus, objective lens protector Options: f-300 mm; f-400 mm; <i>NuVar</i> system which provides continuous focal length adjustment from 300-400 mm |
| Light source | 50W LED |
| Built-in filters | Green and Yellow |
| Vertical movement of arm | 550 mm |
| Microscope carriers | 120° carrier |
| Optional accessories | Beam splitter straight/inclined Rotoplate and/or Extender <i>ProLine</i> range of camera adapters <i>iVu S5</i> 5MP integrated digital camera module with on-device capture button and SD card; USB v2.0 and HDMI (1080p) ports |

SPECIFICATIONS



All dimensions in mm

| DESCRIPTION | CONFIGURATION | CATALOG NO. |
|-------------|----------------------|-------------|
| Prima DNT | Basic | 6138000-000 |
| Prima DNT | Motorized fine focus | 6138000-100 |



Labo America, Inc.
920 Auburn Court
Fremont, CA 94538

Tel: (510) 445-1257
Fax: (510) 445-1317
E-mail: sales@laboamerica.com

www.laboamerica.com



ISO 9001 : 2008

LABOMED®

Distributor

6138000-796 1.1
© Labo America, Inc. All rights reserved.