

# UnicLine S *Pillar*

by heka dental



# UnicLine S Pillar

The elegant UnicLine S Pillar is a space-saving pillar unit in the well-known UnicLine S design, a beautiful, functional, and Nordic design of high quality.

The Delivery system on the UnicLine S Pillar is identical to the iconic UnicLine S and thus has the same ergonomic balanced suspension of the instruments and the hygienic glass surface with integrated touch display that is easy and quick to clean.

With a Pillar unit, the ergonomic telescopic arm is placed with the suction on the chair or possibly can be placed away from the unit behind the chair and still fully achieves the same flexibility and excellent ergonomics that is characteristic of all UnicLine models.

UnicLine S Pillar requires very little space and is therefore very suitable for smaller clinic rooms.

Like all Heka Dental's other products, UnicLine S Pillar is manufactured in Denmark.

# Pillar and base

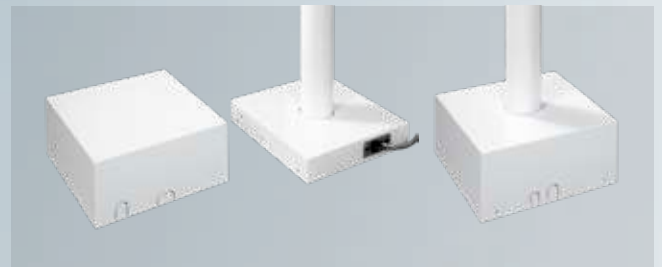
The UnicLine S Pillar Unit is designed as minimalist as possible, with no unnecessary connections or other disruptive elements. The chair and suction are connected to the elegant floor box and, if desired, the suction arm can be installed away from the unit and the patient's chair – for instance in a dental cabinet behind the head rest.



## **The base is available in two versions:**

A low base where the electronics for the pillar unit are placed in a separate box, which can be placed away from the unit – e.g. in a closet or wall-hung.

If there is no desire or possibility for a separate box with electronics and connections, the UnicLine S Pillar Unit can also be delivered with a slightly higher base which contains everything needed.



# Ergonomics

UnicLine S has always been recognized for supporting an optimal ergonomic workflow. These ergonomic features are continued in the Pillar unit.

## Light ergonomics:

We all know the familiar situation where we want to keep our eyes on the patient's mouth, but often we are forced to look away to check instrument settings during treatment - such as simple information about instrument spray.

We have solved this daily challenge by projecting the instrument information down onto the patient's napkin, thereby allowing the dentist and assistant to glimpse the settings of the active instrument in the eye corner and maintain focus in the patient's mouth, without moving the eyes. We call this light ergonomics because we avoid straining the eyes by constantly shifting focus and light intensity.

## Delivery system:

The delivery system is almost minimalist and there is no superfluous technology, or unnecessary information. The thin, narrow design of the delivery system is a prerequisite for achieving optimal ergonomic working conditions around the patient.

## Balanced Instruments:

With the balanced suspension, the instruments are individually balanced and the long silicone hoses provide ergonomically correct working possibilities. The instruments are individually balanced so that your hand does not have to carry the instrument's weight or experience external forces when performing your precision work. Balanced unit instruments reduce fatigue and increase the precision of the work.



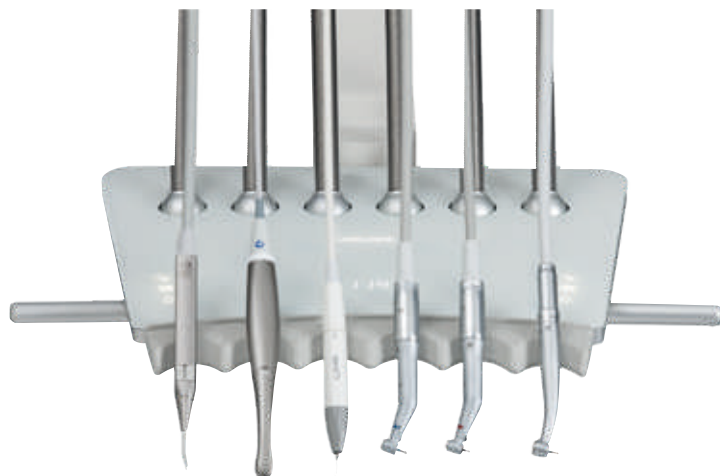
# Delivery system

The delivery system is of the same design and quality as known from UnicLine S.

Below the glass surface the display and touch keys are integrated - they are only visible when relevant to the situation-specific function - creating a simple expression and avoiding eye strain.

With a tempered glass surface, we have created the most hygienic surface of a dental treatment unit, and for ease of cleaning, the display and touch keys can be rendered inactive.

In addition, the integration of displays provides an easier and smaller surface to be cleaned between patients.



# Instrument arm

The UnicLine S unit arm set has several ergonomic advantages:

## **Flexible placement:**

The arm set has full movement all the way around so you choose how you want to position the delivery system and which way it should move.



In addition, the UnicLine S Pillar needle bearings are oversized and work millimetre-accurate in any position, despite the different loads.



## **Light and seamless movement:**

All movable joints in the unit arm are fitted with double needle bearings. This ensures that it is very easy and comfortable to move the delivery system.



# Suction

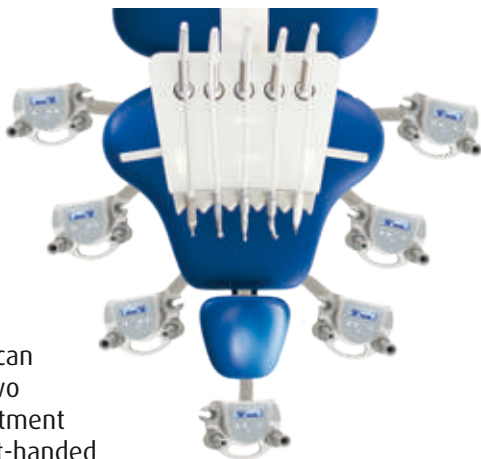
The telescopic arm with the suction can easily be adjusted to work 180 degrees around the patient to avoid twisting the upper body when reaching for the suction.

The telescopic arm can be adjusted from two to four-handed treatment or from right- to left-handed dentist in seconds.

The suction comes as standard with two selective suctions and adjustable hand pieces or with hygienic, autoclavable aluminium hand pieces for surgery.

The holder is available in an open or closed version.

The telescopic arm is mounted on the chair base, under the patient.



# Hygiene and cleaning

Heka Dental UnicLine S Pillar is designed to be as hygienic and clean as possible.

## Tempered glass surface

It includes well thought out details such as the use of the hardened glass surface on the dashboard which, due to the hard, smooth surface, is particularly effective in cleaning and disinfecting.

The integrated touch display ensures that there are no buttons or switches, which can collect dust and dirt.

The display can, of course, be locked during cleaning and automatically unlocks after 2 minutes, so the unit is ready again before the next patient.

## Natural contact points

Natural contact points, such as handles and instrument covers, can easily be removed for cleaning and autoclaving.

This also includes the handles for the operating lamp.

Please refer to the equipment list for additional equipment that optimizes the hygiene of a UnicLine S Pillar.



# Options and equipment

## Instrument flush

The instrument flush is connected on the suction hose via an adapter.

## Automatic suction cleaning:

With the automatic suction cleaning, a nozzle is activated at the end of the suction hoses, which continuously cleans the suction system with chemicals or just clean water and helps to keep the entire suction system clean and efficient. It is possible to activate flushing with chemicals or only water while working with a patient.

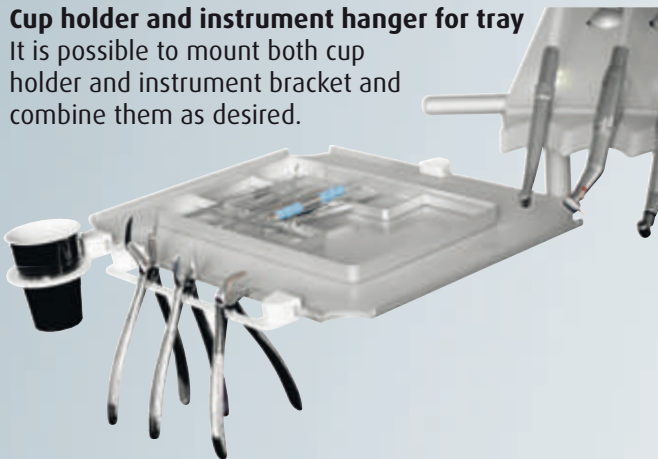
This ensures effective removal of all impurities without the hose drying out, to prevent the impurities solidifying on the inside of the hose.

Regular flushing with active chemicals between patients or in the evening can ensure that colony forming units, germs and bacteria in the suction system are reduced.



## Cup holder and instrument hanger for tray

It is possible to mount both cup holder and instrument bracket and combine them as desired.



## External 2L water bottle

In addition to connecting to the public water supply, the UnicLine S Pillar can be equipped with a system of independent water supply via a 2L bottle. This system can also be used to flush the unit's hoses with cleaning fluid.



Of course, the dentist and assistant can control the suction, instrument flush and bottled water system on the display.



# Included on delivery

## **Included in UnicLine S Pillar on delivery (depending on chosen options):**

- Quality product made from aluminium and glass
- Quality valves from Germany
- Lacquered surfaces in aluminium
- Surface on delivery system in tempered glass with integrated touch buttons
- Instrument arm in cast aluminium
- Oversized double needle bearings in middle arm and delivery system
- Instrument arm with 337° rotation offers both right- and left-handed operation
- Instrument arm with double spring supported height adjustment
- Adjustable setting of joints and height adjustable instrument arm.
- Lighting ergonomics
- Individually balanced instruments
- Optional delivery system for five or six instruments
- Hygienic, integrated multi-touch panel in the glass surface of the delivery system
- Hygienic, autoclavable instrument holders
- Removable, autoclavable handles on delivery system
- Return air filter
- Selective suction (large and small)
- Multi-flexible telescopic suction holder

## **Additional equipment and options:**

### **Turbine:**

- Multiflex high speed, fibre optic outlet

### **Micromotors:**

- Bien Air MX2 incl. Optima control 100-40.000 rpm/min. (up to 2 pcs.)
- Bien Air, MCX brushless, 1000-40.000 rpm/min. (up to 3 pcs.)

### **Syringes:**

- UNIC, 3:1
- Luzzani, 3:1 or 6:1
- Luzzani, 7:1 with/light

### **Scaler:**

- Newtron (with/without LED)
- W&H with LED
- EMS "No Pain" (with/without LED)
- NSK Varios (with/without LED)
- EMS Airflow: built-in version

### **Curing light:**

- UNIC (Bluedent Express)
- Starlight Sler (with button or foot control activation)
- Acteon MiniLED

### **Intraoral Camera:**

- Sopro 617 or 717 excl. software
- Dürr VistaCam iX HD

### **Instrument arm- and delivery system options:**

- Tray support in various lengths
- Optional double tray support
- Single or double tray
- Protection sheet for tray (autoclavable)

### **Monitor:**

- 22" monitor mounted on lamp support with flexible arm
- iPad/tablet holder (on delivery system)

### **Water- and water treatment:**

- External water bottle - 2 liter
- Automatic instrument flush
- Sterile water pump
- Automatic suction cleaning system

### **Operation lamps and room light:**

- Faro Maia LED operation lamp 35.000 Lux, 5000K with standard arm
- Faro Alya operation lamp 50.000 Lux, 5000K with Heka Design arm
- Faro AlyaCam operation lamp 50.000 Lux, 5000K with Heka Design arm & Integrated HD-Camera
- FARO Alya LED with Heka Design arm and built-in THEIATECH
- Faro Sidèrea LED room light

### **X-ray:**

- It is not recommended to install X-Ray on UnicLine S Pillar

### **Foot control:**

- Ergonomic round (wired or wireless)
- Round variable (wired or wireless)
- Universal variable (wired or wireless)

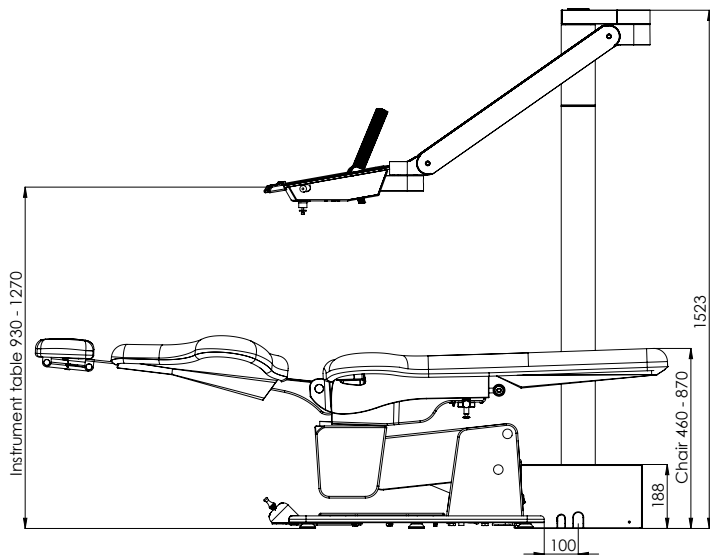
### **UnicLine patient's chair:**

- Two electric motors
- Lifting capacity tested up to 300 kgs (with floor mounting)
- High lifts for standing treatment
- Horizontal position available
- Double-articulated head rest
- One joystick (up to 3 joysticks possible)
- Four 4 programs or 3 programs and 'Last Position'
- Headrest with hole
- Armrest - right and/or left, revolving
- Foot rest, foldable
- Hanger for foot control

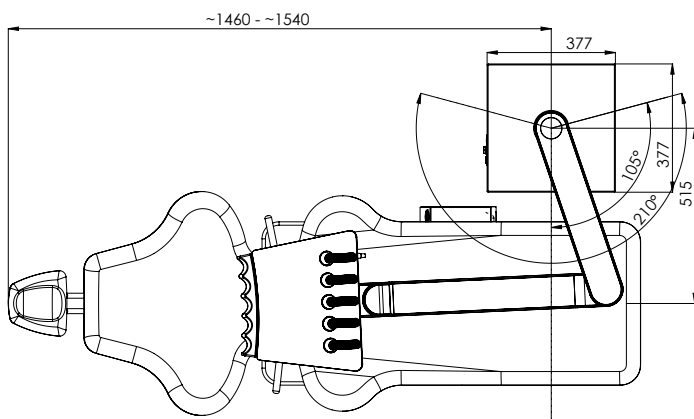
### **Upholstery:**

- Comfort Shape Upholstery (standard)
- Comfort Memory Upholstery

**View available upholstery colours on [www.heka-dental.com](http://www.heka-dental.com)**



Total height with operation lamp is 1842 mm.



# hekadental®

Heka Dental A/S was founded in 1965, and today produces dental units for dentists through-out most of the world. Today, we are the leading supplier of dental units for Scandinavia and the Benelux.

The company is family owned and all production, development and administration takes place in Denmark. All workflows are of course ISO certified, to ensure a high quality level of all functions.

Heka Dental adjusts functionality and possibilities to the individual requirements of our customers. To ensure the best possible guidance and information to the individual dentist, delivery, installation and service is carried out by a comprehensive and well-trained network of partners.



## Heka Dental A/S

Baldershøj 38 · DK-2635 Ishøj · Denmark

Phone +45 4332 0990

mail@heka-dental.dk · www.heka-dental.com