

# Fast, direct and simply digital.



KaVo Imaging *Master Series*

Finished image  
ready in just

5 sec!



KaVo. Dental Excellence.

# KaVo combines Dental Excellence with outstanding imaging expertise.



KaVo Imaging *Master Series*

## Long-standing tradition of innovation.

KaVo Pan eXam the further development of the world-famous Orthopantomograph® is the epitome of superior image quality and leading innovation. Instrumentarium Dental is the provider of cutting-edge panoramic imaging systems.

## The success story starts in 1961.

The foundations of success were laid by the first Orthopantomograph OP1. These premium panoramic imaging systems quickly became a synonym with quality, innovation and reliability. More than 50,000 units of the Orthopantomograph® have been sold worldwide

## KaVo continues to progress with the Orthopantomograph®

100 years of Dental Excellence of KaVo have now been combined with the experiences and innovations of Instrumentarium Dental. This exceptional combination has produced a technological milestone – KaVo Pan eXam Plus. This outstanding new device completes the unique portfolio of imaging systems of KaVo.

## Orthopantomograph® quality with all KaVo advantages.

The new Scan eXam is now available from your solution provider KaVo. The familiar KaVo hallmarks of high security, safe investment and modular systems are now also part of your imaging solution.

## KaVo – experience the future of imaging today.

With the entry level unit – KaVo Pan eXam – the former OP30, you are already in the world of premium panoramic imaging. Or select the KaVo Pan eXam Plus which is designed to meet future requirements. Due to the rapid changes in imaging markets the innovative and flexible concept of the KaVo Pan eXam Plus is a safe investment which will pay off in future.

1. Superior image quality

2. Advanced system integration

3. Maximum comfort



KaVo. Dental Excellence.

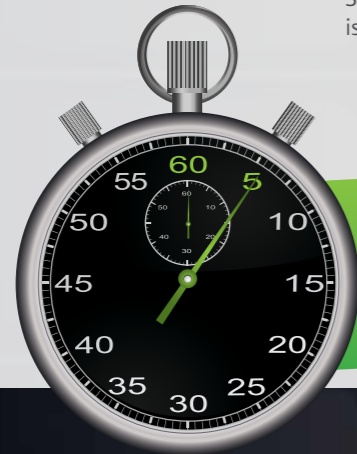
# Excellent results. Extremely fast.

Scan eXam sets the standard in imaging speed. The entire process from reading to erasing is so quick that imaging plates can be unbagged and fed continuously without waiting between images.

Imaging plates provide you with superior image quality and wide dynamic range of acquisition options. There are no accidental under or over exposures. Images are automatically processed to bring forth the required diagnostic information.

Scan eXam provides excellent, consistent clinical results. The system is compatible with both AC and DC imaging units.

plate size	time (sec)
0	5
1	6
2	6
3	8



Finished image  
ready in just  
**5 sec!**



Scan eXam is already supplied with intraoral imaging plate sizes from size 0 to size 3. All types of patients and anatomies can be successfully handled with the system. Size 0 plates are particularly convenient with children, and size 3 plates provide a longer view in bitewing imaging.

- Thin, flexible imaging plates
- 100% active area
- No cables
- Plates compatible with film holders

size 0  
22 x 31 mm  
628 x 885 pixels  
1.08 MB

size 1  
24 x 40 mm  
685 x 1143 pixels  
1.53 MB

size 2  
31 x 41 mm  
886 x 1171 pixels  
2.03 MB

size 3  
27 x 54 mm  
771 x 1542 pixels  
2.32 MB

# Smooth workflow.



## 1. Image preview

The state-of-the-art display shows a preview of each image, allowing you to instantly verify the correct patient positioning. In a network environment the display also indicates the receiving workstation ID.

## 2. Plates ready for re-use instantly

Scan eXam automatically erases imaging plates after image readout. Imaging plates are ready for immediate re-use.

## 3. Minimum unit handling

The patented hygiene concept of the Scan eXam keeps you focused on your patient and ensures complete hygiene. The system automatically prepares itself for capturing an image when you approach it with the imaging plate. No buttons need to be touched.

## 4. Guided Plate Feed (GPF)-function

The system actively assists with correct insertion of the imaging plates by the user and indicates if the user tries to insert them incorrectly. There is no risk of lost or low-quality images due to incorrect feeding of imaging plates.



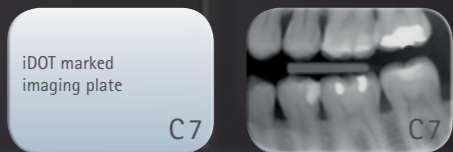
## Familiar, easy workflow.

### As easy to position as film:



### Patented iDOT system.

The unique iDOT marking system avoids retakes. The iDOT marking allows you to identify and trace back which plate was used to capture a specific image. Damaged plates can be easily identified and replaced.



### Comprehensive range of accessories.

- Imaging plates
- Protective covers
- Hygiene bags
- Imaging plate storage box
- Wall mount kit

## A safe investment.



### Scratch-resistant imaging plates.

Scan eXam utilizes the latest know-how in imaging plate technology. The imaging plates are very scratch resistant and provide high quality diagnostic results time after time.

### A cost-efficient system.

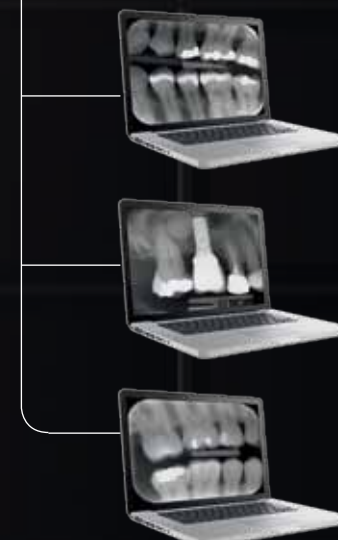
The system communicates via the local area network and is not restricted to one dedicated PC as USB-connected systems are. With the Scan eXam network feature up to 8 workstations can share one Scan eXam over the computer network. This offers a very cost-effective imaging solution for practices with multiple operatories.

### Flexible placement at your office.

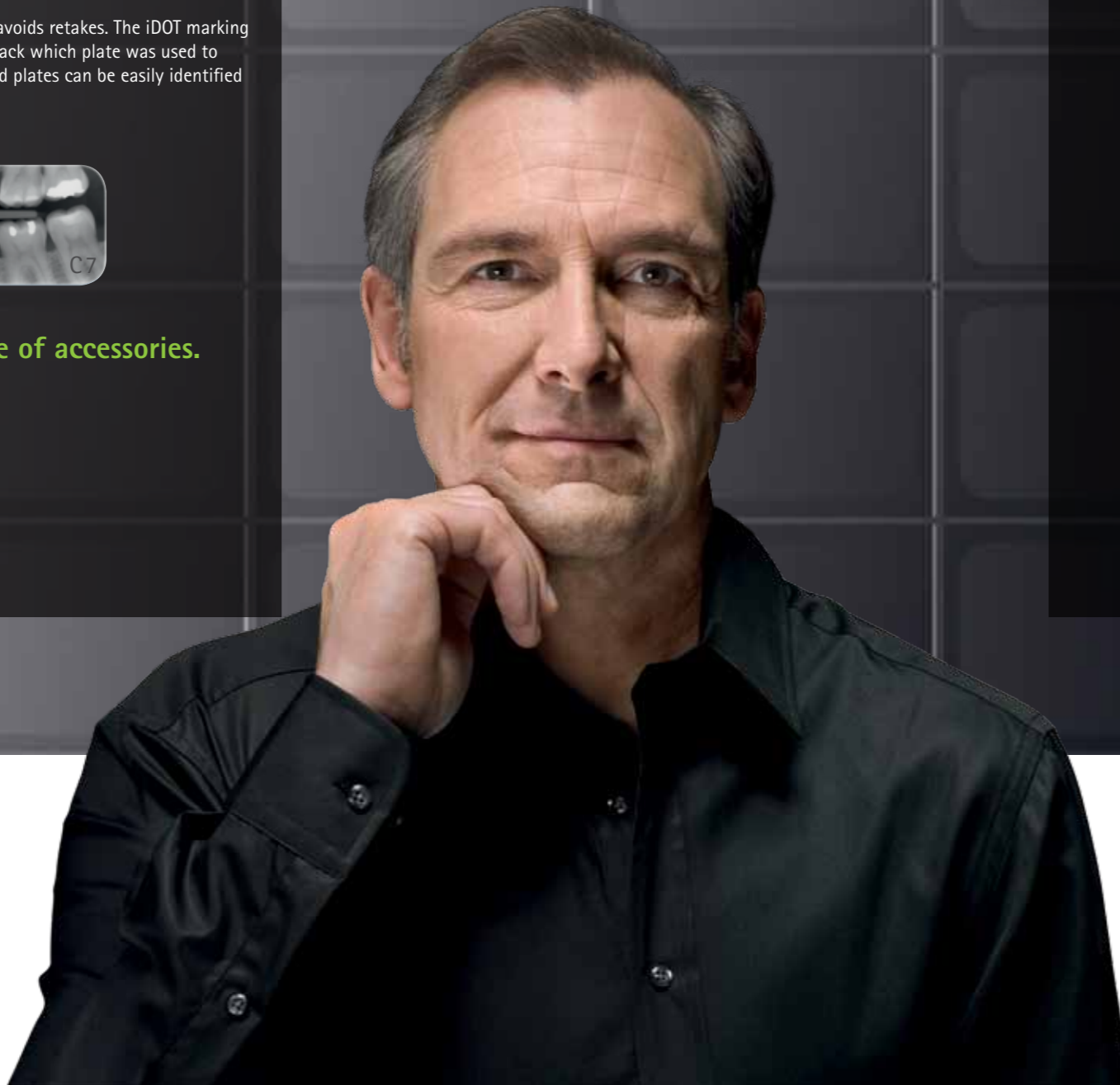
Scan eXam is very compact. In addition to the desktop, it can be placed into a cabinet or under the desktop or even mounted on the wall.

### The KaVo advantage.

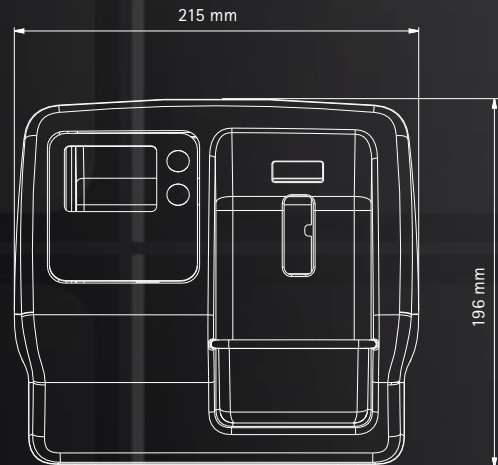
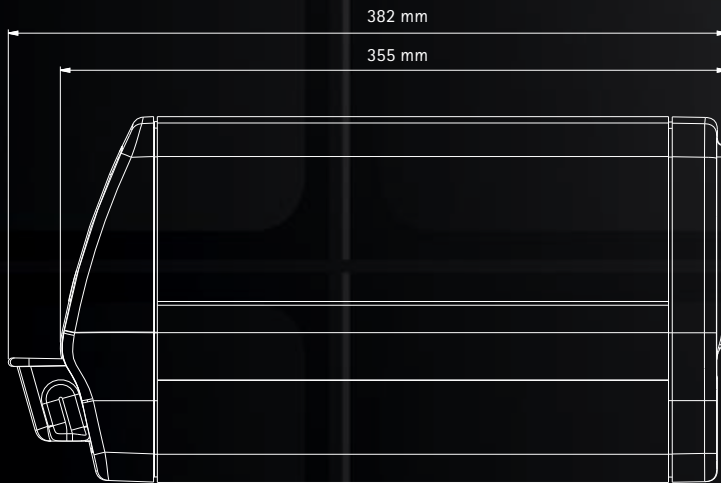
Like all KaVo products, the Scan eXam has been designed with great attention to detail. The system will provide you with years of high quality diagnostic results.



One Scan eXam can be easily shared by multiple operatories over a local network.



# Technical specifications.



Bit depth	14 (16 384 shades of gray)
Pixel size	35 $\mu\text{m}$ (resolution optimized), 64 $\mu\text{m}$ (contrast optimized)
Resolution	14.3 line pairs / mm
Readout time	4.3 – 7.5 seconds
Connection	Ethernet 1 Gb compliant
Dimensions (H x W x D)	196 mm x 215 mm x 382 mm (7.7 x 8.5 x 15 inches)
Weight	10.3 kg (22.7 lbs)
Line voltage	100 – 240 V, 50/60 Hz
Operating current	Less than 1.3 A
Operating environment	+10°C – +40°C, 30 – 90 RH%, 700 – 1060 hPa

