

expert[®] DC



The Next Generation Intraoral X-ray System Has Arrived!

- [Cone Beam 3-D Imaging Systems](#)
- [Panoramic X-ray Systems](#)
- [☞ Intraoral X-ray Systems](#)
- [Digital Intraoral Sensors](#)
- [Digital X-ray Phosphor Plates](#)
- [Intraoral Cameras](#)
- [Imaging Software](#)

GENDEX[®]
Imaging Excellence Since 1893

expert[®] DC

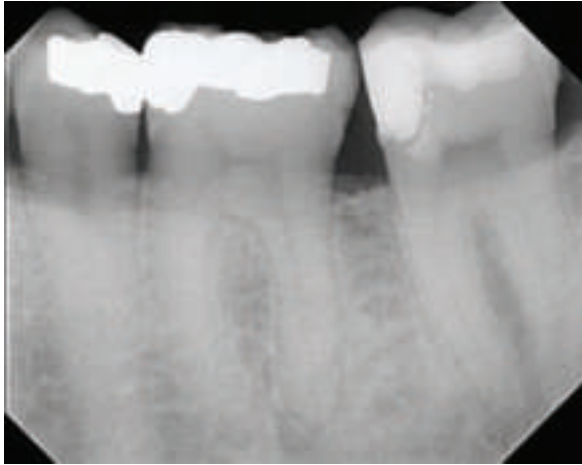


Featuring the latest digital controls for safety and reliability to produce consistent imaging results

Proven Dependability

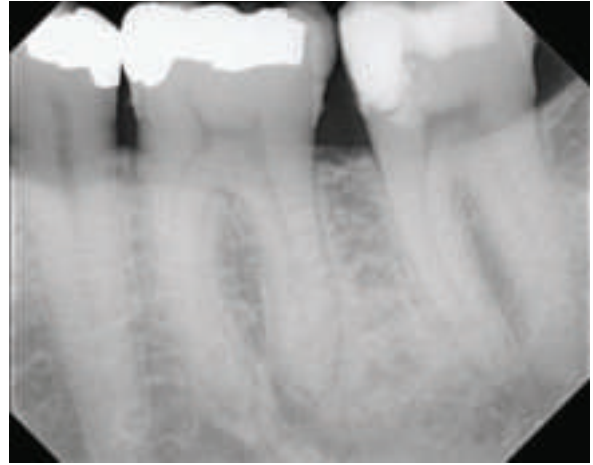
Coming from the manufacturer of the Oralix AC, the golden standard of reliability, the Gendex expert DC delivers peace of mind for your practice. Advanced electrical design and rigorous test procedures allow Gendex to deliver consistent reliability, shorter exposure time and reduced radiation, all while maximizing image quality.

0.7 mm Focal Spot



Less defined detail with the typical industry-standard focal spot of 0.7 mm

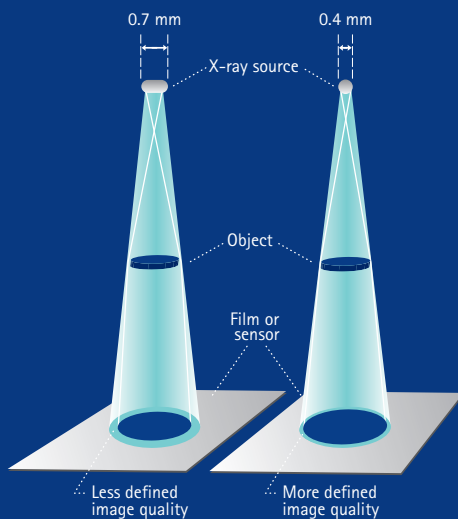
0.4 mm Focal Spot



Clearer detail in DEJ, canals, PDL, and bone structures for improved diagnostics with the expert DC focal spot of 0.4 mm

Industry standard

The new expert DC



Sharper Images

The expert DC's industry-leading focal spot of 0.4 mm creates significantly sharper images than other intraorals, regardless if you operate with digital sensors, PSP, or film. Its state-of-the-art technology delivers consistent results with short exposures and maximizes image resolution by minimizing distortion. These features deliver radiographs with sharper detail for improved diagnostics.



Main control panel with programmable anatomical presets



Quickset™ tubehead controls

Improved Workflow

Gendex provides dental team members with innovative solutions for maximum flexibility. The main control panel offers 21 exposure settings plus fully-programmable anatomical presets. In addition, the Quickset™ control presets are located on the X-ray tubehead. No other X-ray delivers this combination of programmable anatomical presets and Quickset™ tubehead controls.



The Gendex expert® DC combines the legacy of dependability with the latest advances in electronic technology. This new direct current powerhouse delivers strong benefits for your practice: shorter exposures, reduced radiation, and truly consistent image quality. Its industry-leading focal spot of 0.4 mm creates significantly sharper images than other intraorals, regardless if you operate with digital sensors, PSP, or film.

Leading technology and daily dependability – the legendary Gendex reputation continues with the expert DC.

Proven Dependability

- The latest digital controls for safety and reliability
- Consistent imaging results

Sharper Images

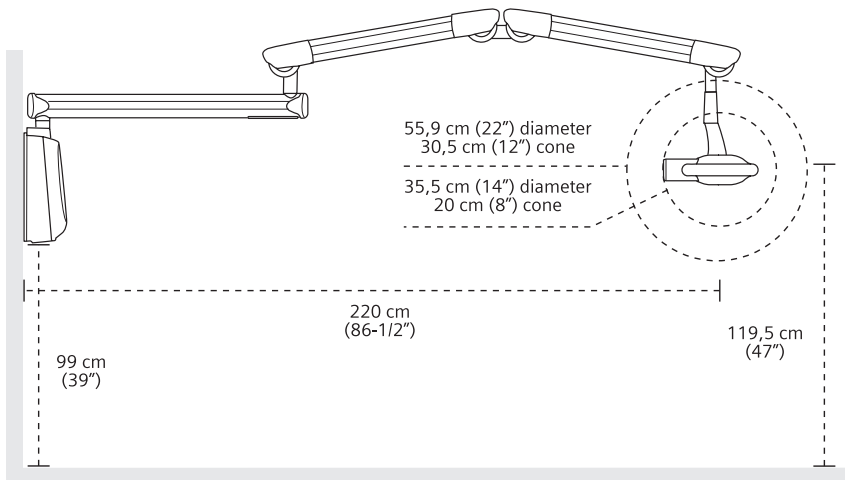
- 0.4 mm focal spot creates sharper images than intraorals with the typical industry-standard focal spot of 0.7 mm
- Compatible with digital sensors, PSP and a wide range of film speeds

Improved Workflow

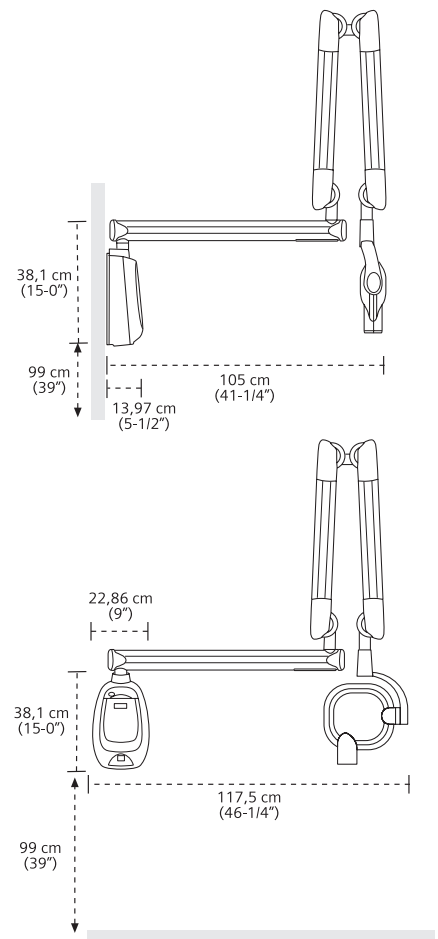
- Quickset™ tubehead controls for increased workflow efficiency
- Fully-programmable anatomical presets

Technical Specifications

Gendex expert® DC



- NOTE: This dimension refers to the horizontal arm and is for expertDC75 models with 191 cm (75") reach. For expertDC65 models, reduce the dimension by 25.4 cm (10"). For expertDC55 models, reduce the dimension by 50.8 cm (20").



kV	65 kV fixed
mA	7 mA fixed
Focal spot	0.4mm IEC336
Exposure time	21 selections: 0.02 to 2.0 seconds
Duty cycle	1:30
Focal length	standard 20 cm (8"), optional 30 cm (12")
Line voltage	115V, 60 Hz or 230V, 50 Hz
Arm length	140 cm (55"), 165 cm (65"), 191 cm (75") available
Warranty	2 years

GENDEX®
Imaging Excellence Since 1893

KaVo Dental – Gendex Imaging
Via Alessandro Manzoni, 44
20095 Cusano Milanino, Milan, Italy
Tel. +39 02 618008.1
Fax +39 02 618008.09
www.gendex-dental.com
www.kavo.com

Manufactured by:
Gendex Dental Systems
901 W. Oakton Street
Des Plaines, IL 60018 USA